



Transmittal

Power & Lighting Systems, Inc.
392 S.W. 12TH Avenue
Deerfield Beach FL 33442
Phone: (954) 360-7608
From: Stephen Kosowsky

Project
Quote#
Location
To D&Q Studio

ATTACHED WE ARE SENDING YOU 1 COPY OF THE FOLLOWING ITEM:

- | | | |
|-----------------------------------|--|--------|
| <input type="checkbox"/> Drawings | <input checked="" type="checkbox"/> Specifications | Other: |
| <input type="checkbox"/> Prints | <input type="checkbox"/> Information | |
| <input type="checkbox"/> Plans | <input type="checkbox"/> Submittals | |

THESE ARE TRANSMITTED FOR:

- | | | |
|--|---|---------------------------------|
| <input type="checkbox"/> Prior Approval | <input type="checkbox"/> Resubmittal for Approval | <input type="checkbox"/> Record |
| <input type="checkbox"/> Approval | <input type="checkbox"/> Corrections | Bids due on: |
| <input type="checkbox"/> Approval as Submitted | <input checked="" type="checkbox"/> Your Use | Other: |
| <input type="checkbox"/> Approval as Noted | <input type="checkbox"/> Review and Comment | |

Qty	Type	MFG	Part
1	C	Acuity Brands Inc.	LDN4 ALO2 SWW1 LO4AR LSS MVOLT UGZ
1	D	Acuity Brands Inc.	FEM L48 4000LM LPAFL MD MVOLT GZ10 40K 80CRI
1	EM	Acuity Brands Inc.	ELM2L

**Job Name:****Catalog Number:**LDN4 ALO2 SWW1 LO4AR LSS
MVOLT UGZ

Notes:

Type:**C**

DEER21-153733

**FEATURES & SPECIFICATIONS****INTENDED USE** — Typical applications include corridors, lobbies, conference rooms and private offices.**CONSTRUCTION** — Galvanized steel mounting/plaster frame; galvanized steel junction box with bottom-hinged access covers and spring latches. Reflectors are retained by torsion springs. Vertically adjustable mounting brackets with commercial bar hangers provide 3-3/4" total adjustment. Two combination 1/2"-3/4" and four 1/2" knockouts for straight-through conduit runs. Capacity: 8 (4 in, 4 out). No. 12 AWG conductors, rated for 90°C.

Accommodates 12"-24" joist spacing.

Passive cooling thermal management for 25°C standard. Light engine and drivers are accessible from above or below ceiling.

Ceiling thickness range 1/2" to 1-1/2".

OPTICS — 55° cutoff

1.0 S/MH standard (wallwash reflector available)

80CRI standard (90CRI optional)

ELECTRICAL — Adjustable lumen output with three module options.

MVOLT 120/277V 50/60Hz driver (0-10V & 120V Phase Dimming to 10% min dimming level). DALI driver dimming to 1% also available

100LPW typical

FCC CFR Title 47 Part 15 Class A for lower lumen range. FCC CFR Title 47 Part 15

Class B for higher lumen range.

L80 @ 60,000 hours

3 SDCM

LISTINGS — Certified to US and Canadian safety standards. Wet location, covered ceiling. Wallwash suitable for damp locations only. Some configurations are Energy Star certified, please visit www.energystar.gov for specific products.**WARRANTY** — 5-year limited warranty. Complete warranty terms located at:www.acuitybrands.com/support/warranty/terms-and-conditions**Note:** Actual performance may differ as a result of end-user environment and application.

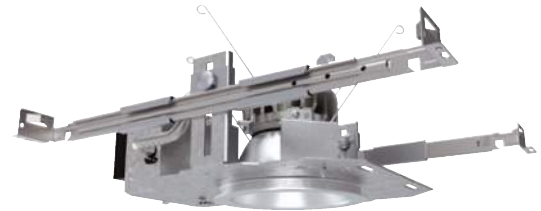
All values are design or typical values, measured under laboratory conditions at 25 °C.

Specifications subject to change without notice.

Catalog
Number

Notes

Type

LDN4 SWITCHABLE**4" OPEN
New Construction Downlight****ORDERING INFORMATION**

Lead times will vary depending on options selected. Consult with your sales representative.

Example: LDN4 ALO2 SWW1 LO4AR LSS MVOLT UGZ

LDN4									
Series	Lumens	Color temperature	Aperture/Trim Color	Reflector Flange	Finish	Voltage			
LDN4 4" Round	AL01 500/750/1000lm AL02 1000/1500/2000lm AL03 2000/2500/3000lm	SWW1 3000K-3500K- 4000K-5000K	LO4 Downlight LW4 Wallwash	AR Clear WR White painted BR Black painted	(blank) Self-flange TRW ¹ White TRBL ² Black	LSS Semi-specular LD Matte diffused LS Specular	MVOLT 120V - 277V 347 347V step-down transformer supplied		

Driver	Options
UGZ Universal dimming to 10% 0-10V; line voltage dimming (120V)	90CRI High CRI (90+)
DALI DALI dimming to 1%	AT Airtight
	CP ⁵ Chicago Plenum
	EL ^{3,4} Batterypack (10W constant power) Non-T20 Compliant, integral test switch
	ELR ⁴ Batterypack (10W constant power) Non-T20 Compliant remote test switch
	E10WCP ^{3,4} Batterypack (10W constant power) T20 Compliant, integral test switch
	E10WCPR ⁴ Batterypack (10W constant power) T20 Compliant, remote test switch

Notes¹ For use with Clear (AR) reflector finish only. Not applicable with WR (white reflector).² For use with Clear (AR) reflector finish only. Not applicable with BR (Black reflector).³ Suitable for damp location only.⁴ Not available with 347V.⁵ Not available with Dali & AL03. Not available with emergency batterypacks. Not available with 347 voltage.



Job Name:

Catalog Number:

LDN4 ALO2 SWW1 LO4AR LSS
MVOLT UGZ

Notes:

Type:

C

DEER21-153733

LDN4 SWW

PHOTOMETRY

LDN4		80CRI							
Lumen Output	Wattage	30K/80CRI		35K/80CRI		40K/80CRI		50K/80CRI	
		Delivered Lumens	LPW	Delivered Lumens	LPW	Delivered Lumens	LPW	Delivered Lumens	LPW
ALO1 (500LM)	6	570	99	584	101	597	102	616	105
ALO1 (750LM)	9	903	102	924	103	946	105	975	108
ALO1 (1000LM)	13	1268	98	1297	100	1328	102	1369	104
ALO2 (1000LM)	13	1344	108	1375	110	1408	112	1451	115
ALO2 (1500LM)	19	1961	105	2007	106	2055	108	2118	111
ALO2 (2000LM)	25	2471	99	2528	101	2588	103	2668	105
ALO3 (2000LM)	25	2542	103	2601	104	2663	106	2745	109
ALO3 (2500LM)	32	3069	98	3140	99	3214	101	3314	103
ALO3 (3000LM)	38	3485	93	3566	94	3651	96	3764	98

LDN4		90CRI							
Lumen Output	Wattage	30K/90CRI		35K/90CRI		40K/90CRI		50K/90CRI	
		Delivered Lumens	LPW	Delivered Lumens	LPW	Delivered Lumens	LPW	Delivered Lumens	LPW
ALO1 (500LM)	6	498	87	512	88	526	90	539	92
ALO1 (750LM)	9	789	89	810	91	832	92	853	94
ALO1 (1000LM)	13	1108	86	1138	88	1168	89	1198	91
ALO2 (1000LM)	13	1174	95	1206	97	1238	99	1270	100
ALO2 (1500LM)	19	1714	91	1761	93	1807	95	1854	97
ALO2 (2000LM)	25	2159	87	2218	89	2276	91	2335	92
ALO3 (2000LM)	25	2222	90	2282	92	2342	94	2402	95
ALO3 (2500LM)	32	2682	85	2755	87	2827	89	2900	91
ALO3 (3000LM)	38	3046	81	3129	83	3211	85	3294	86

LDN4WW		80CRI							
Lumen Output	Wattage	30K/80CRI		35K/80CRI		40K/80CRI		50K/80CRI	
		Delivered Lumens	LPW	Delivered Lumens	LPW	Delivered Lumens	LPW	Delivered Lumens	LPW
ALO1 (500LM)	6	561	97	574	99	587	101	606	103
ALO1 (750LM)	9	888	100	908	101	930	103	959	106
ALO1 (1000LM)	13	1246	97	1275	98	1305	100	1346	102
ALO2 (1000LM)	13	1321	106	1352	108	1384	110	1427	113
ALO2 (1500LM)	19	1928	103	1973	105	2020	106	2083	109
ALO2 (2000LM)	25	2429	98	2485	99	2544	101	2623	104
ALO3 (2000LM)	25	2499	101	2557	103	2618	105	2699	107
ALO3 (2500LM)	32	3017	96	3087	98	3160	99	3258	102
ALO3 (3000LM)	38	3426	91	3506	93	3589	95	3700	97

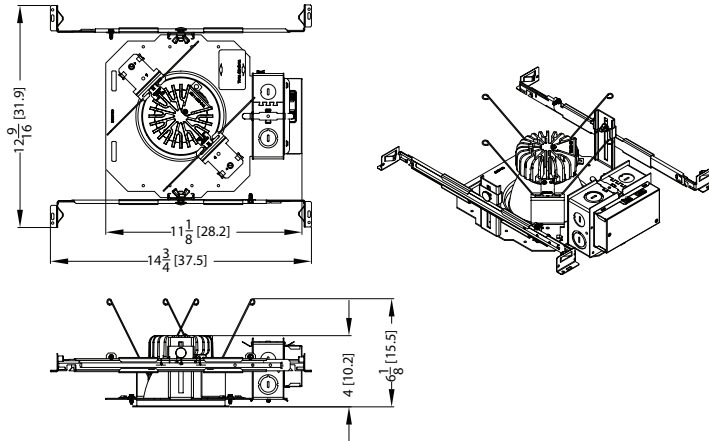
LDN4WW		90CRI							
Lumen Output	Wattage	30K/90CRI		35K/90CRI		40K/90CRI		50K/90CRI	
		Delivered Lumens	LPW	Delivered Lumens	LPW	Delivered Lumens	LPW	Delivered Lumens	LPW
ALO1 (500LM)	6	490	85	503	87	517	89	530	90
ALO1 (750LM)	9	776	87	797	89	818	91	839	93
ALO1 (1000LM)	13	1089	84	1119	86	1148	88	1178	90
ALO2 (1000LM)	13	1155	93	1186	95	1217	97	1248	99
ALO2 (1500LM)	19	1685	90	1731	92	1777	94	1822	95
ALO2 (2000LM)	25	2123	85	2180	87	2238	89	2295	91
ALO3 (2000LM)	25	2184	88	2243	90	2302	92	2362	94
ALO3 (2500LM)	32	2637	84	2708	86	2780	87	2851	89
ALO3 (3000LM)	38	2994	80	3076	81	3157	83	3238	85



LDN4 SWW

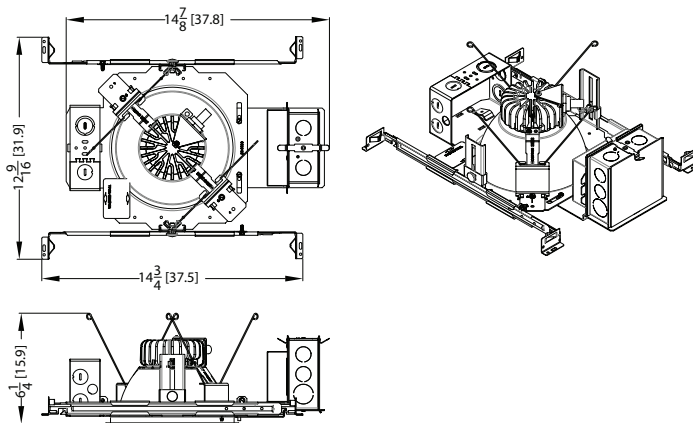
* All dimensions are inches (centimeters) unless otherwise noted.

LDN4 SWW1 500-3000LM



LDN4 SWW1 IC RATING	
ALO1	IC
ALO2	NON-IC
ALO3	NON-IC

LDN4 SWW1 CP 500-3000LM



LUMEN OUTPUT MULTIPLIERS - FINISH	
Specular (LS)	1.05
Semi-specular (LSS)	1.00
Matte diffuse (LD)	0.85

LUMEN OUTPUT MULTIPLIERS - CCT			
3000K	3500K	4000K	5000K
0.98	1.0	1.01	1.03

HOW TO ESTIMATE DELIVERED LUMENS IN EMERGENCY MODE

Use the formula below to estimate the delivered lumens in emergency mode

$$\text{Delivered Lumens} = 1.25 \times P \times \text{LPW}$$

P = Output power of emergency driver. P = 10W for PS1055CP

LPW = Lumen per watt rating of the luminaire. This information is available on the ABL luminaire spec sheet.

The LPW rating is also available at [Designlight Consortium](#).

Notes

- Tested in accordance with IESNA LM-79-08.
- Tested to current IES and NEMA standards under stabilized laboratory conditions.
- CRI: 80 typical.



Job Name:

Catalog Number:

LDN4 ALO2 SWW1 LO4AR LSS
MVLVT UGZ

Notes:

Type:

C

DEER21-153733

LDN4 SWW

DIMMER COMPATIBILITY

Not compatible with DALI or DMX dimmers. For specific compatible dimmers see below.

COMPATIBLE LINE VOLTAGE DIMMERS:

TYPE	FORWARD PHASE	S (500-1000LM)	M (1000-2000LM)	L (2000-3000LM)	COMMENT
MLV	Lutron Glyder GLV-600	YES	YES	YES	
INC	Leviton SureSlide 6633	YES	YES	YES	
MLV	Lutron Diva DVLV-600P	YES	YES	YES	
MLV	Lutron Skylark SLV-600P	YES	YES	YES	
INC	Lutron RadioRA 2 10ND	YES	YES	YES	
MLV	Leviton SureSlide 6613-PLW	YES	YES	YES	
INC	Lutron Diva DVCL-153P	YES	YES	YES	
MLV	Leviton IPM06	YES, 2x *	YES	YES	* min 2 fixtures
INC	Leviton IPI06	YES, 2x *	YES	YES	* min 2 fixtures
MLV	Synergy ISD 600LV	YES, 2x *	YES	YES	* min 2 fixtures
INC	Synergy ISD 600 I	YES, 2x *	YES	YES	* min 2 fixtures
INC	CONTROL4 C4-FPD 120	YES	YES	YES	

Type	Reverse Phase Dimmer Bank	S (500-1000lm)	M (1000-2000lm)	L (2000-3000lm)	
ELV	Lutron Nova T NTELV-600	YES	YES	YES	
ELV	Lutron Diva DVELV 600P	YES	YES	YES	
ELV	Lutron Maestro MAELV 600	YES	YES	YES	
ELV	Leviton Vizia VPE06-1LX	YES	YES	YES	
ELV	Leviton Illumatech IPE04	YES	YES	YES	
ELV	CONTROL4 C4-APD 120 REVERSE PHASE	YES	YES	YES	

Type	Miscellaneous Dimmers	S (500-1000lm)	M (1000-2000lm)	L (2000-3000lm)	
PHA	LUTRON RADIORA2 RRD-6NA	YES	YES	YES	
PHA	Lutron Maestro PRO LED+ RRD-PRO	YES	YES	YES	

Type	Control Systems	S (500-1000lm)	M (1000-2000lm)	L (2000-3000lm)	
MLV	Lutron LP-RPM-4U	YES	YES	YES	
PHA	Lutron LP-RPM-4A	YES	YES	YES	
MLV	Lutron GRAPHIC EYE QSGRJ-3P	YES	YES	YES	
PHA	Lutron PA Power Module PHPM-PA-120	YES	YES	YES	
ELV	Lutron nLight nSP5PCD ELV	YES	YES	YES	

COMPATIBLE 0-10V DIMMERS:

MANUFACTURER	SYSTEM TYPE	DESCRIPTION	P/N	S (500-1000LM)	M (1000-2000LM)	L (2000-3000LM)
Lutron	Other	0-10V (sink or source) PowPak wireless dimming module	RMJ-5T-DV-B	YES	YES	YES
Wattstopper	Control System	Digital single relay room controller (0-10V)	LMRC-211	YES	YES	YES
Crestron	Control System	DIN Rail 0-10V fluorescent dimmer, 4 feeds, 4 channels (Green Light System)	DIN-4DIMFLV4	YES	YES	YES
Lutron	Other	Grafik Eye 0-10V adapter	GRX-TVI	YES	YES	YES
Leviton	Wall Box	Illumatech 0-10V	IP710-DLX	YES	YES	YES
Lutron	Control System	Mounted in the Homeworks QS panel - 0-10V dimmer (sink or source)	GRX-TVM2	YES	YES	YES
Lutron	Wall Box	Nova 0-10V wallbox dimmer (use with PP-120-H line voltage relay)	NFTV	YES	YES	YES
Lutron	Wall Box	Nova 0-10V wallbox dimmer (use with PP-120-H line voltage relay)	NTSTV-DV	YES	YES	YES
Lutron	Wall Box	Nova T	NFTV	YES	YES	YES
Leviton	Wall Box	Renior II 0-10V	AWSMG-7DW	YES	YES	YES
ACUITY	Wall Box	sensorswitch, wall switch sensor, occupancy controlled dimming	WSX D WH	YES	YES	YES
ACUITY	Control System	nLight	nPP16D	YES	YES	YES
ACUITY	Control System	nLight	nPS 80 EZ	YES	YES	YES
ACUITY	Control System	nLight Air	rPP20D	YES	YES	YES

Capable Luminaire

This item is an A+ capable luminaire, which has been designed and tested to provide consistent color appearance and out-of-the-box control compatibility with simple commissioning.

- All configurations of this luminaire meet the Acuity Brands' specification for chromatic consistency
- This luminaire is part of an A+ Certified solution for nLight® control networks when ordered with drivers marked by a **shaded background***
- This luminaire is part of an A+ Certified solution for nLight control networks, providing advanced control functionality at the luminaire level, when selection includes driver and control options marked by a **shaded background***

To learn more about A+, visit www.acuitybrands.com/aplus.

*See ordering tree for details



LDN4 SWW



Job Name:

Catalog Number:

FEM L48 4000LM LPAFL MD MVOLT
GZ10 40K 80CRI

Notes:

Type:

D

DEER21-153733



FEATURES & SPECIFICATIONS

INTENDED USE — A general purpose and energy-efficient surface-mounted or suspended LED fixture, suitable for wet, damp and/or cold locations. For vapor-tight demanding environments where moisture or dust is a concern and where relatively low fixture mounting heights and wide fixture spacing are common. Not for use or installation in direct outdoor sunlight. Must be installed under canopy or covered ceiling. For direct sunlight installations, please refer to the [FEX](#) product family. Typical applications include industrial facilities, parking garages, retail malls, multi-purpose rooms, garden centers, and food processing. **Certain airborne contaminants can diminish the integrity of acrylic and/or polycarbonate.** [Click here for Acrylic-Polycarbonate Compatibility table for suitable use.](#)

Certain airborne contaminants may adversely affect the functioning of LEDs and other electronic components, depending on various factors such as concentrations of the contaminants, ventilation, and temperature at the end-user location. [Click here for a list of substances that may not be suitable for interaction with LEDs and other electronic components.](#)

CONSTRUCTION — One-piece SVA fiberglass housing with integral perimeter channel utilizing continuous poured-in-place NEMA 4X gasket. Approved as a wireway and for through wiring. Captive polymeric latches are standard. Stainless steel latches (#316) available as an option for food processing or more demanding applications.

Power connection is easily accomplished through pre-drilled holes. Fixture easily mounts to ceilings and other solid structures, or can be suspended with chain, cable or rod using stainless steel mounting brackets (included).

OPTICS — Injection molded, acrylic lens (.080" thick) provides high impact-resistance comparable to 100% DR. A UV stabilized polycarbonate diffuser (.080" thick) is available (in clear or frosted for additional impact strength where vandal protection is desired).

Expected service life of 60,000 hours at 80% lumen maintenance (L80); predicted life of more than 100,000 hours.

ELECTRICAL — Utilizes high-efficiency LEDs mounted to core circuit boards. High-efficiency drivers operate 120-277 (MVOLT) and 347-480 (HVOLT) offered with 0-10 volt dimming. Standard Luminaire Surge Protection Level: 6kV/3kA Surge Rated per ANSI C82.77-5-2015.

INSTALLATION — Fixture can be surface, suspended or wall mounted. Pre-punched stainless steel mounting brackets are included (two per luminaire) for easy field-attachment of bolts, screws and other mounting hardware.

LISTINGS — CSA Certified to UL and C-UL Standards. Suitable for wet location. IP65, IP66, IP67 rated and certified to meet NSF Splash Zone 2. NEMA 4X rated. Sensors maintain IP65 and IP66 only. See chart on page 5 for Ambient Temperatures.

DesignLights Consortium® (DLC) Premium qualified product and DLC qualified product. Not all versions of this product may be DLC Premium qualified or DLC qualified. Please check the DLC Qualified Products List at www.designlights.org/QPL to confirm which versions are qualified.

WARRANTY — 5-year limited warranty. Complete warranty terms located at: www.acuitybrands.com/support/warranty/terms-and-conditions

NOTE: Actual performance may differ as a result of end-user environment and application. All values are design or typical values, measured under laboratory conditions at 25 °C. Specifications subject to change without notice.

Catalog Number
Notes
Type

Low-Profile Enclosed and Gasketed Industrial



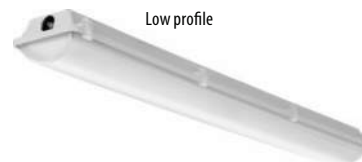
Deep Lens

FEM LED

SURFACE/ SUSPENDED/WALL MOUNT



Low profile with sensor



Low profile

**Stock configurations are offered for shorter lead times:**

Standard Part Number	Stock Part Number
FEM L48 4000LM LPAFL MD MVOLT GZ10 40K 80CRI	FEM L48 4L MVOLT
FEM L48 4000LM LPAFL MD MVOLT GZ10 50K 80CRI	FEM L48 4L MVOLT 5K

A+ Capable Luminaire

This item is an A+ capable luminaire, which has been designed and tested to provide consistent color appearance and out-of-the-box control compatibility with simple commissioning.

- All configurations of this luminaire meet the Acuity Brands' specification for chromatic consistency
- This luminaire is part of an A+ Certified solution for nLight® or XPoint™ Wireless control networks marked by a [shaded background*](#)

To learn more about A+, visit www.acuitybrands.com/aplus.

*See ordering tree for details



Job Name:

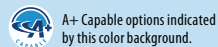
Catalog Number:
FEM L48 4000LM LPAFL MD MVOLT
GZ10 40K 80CRI
 Notes:

Type:

D

DEER21-153733

FEM LED Low-Profile Enclosed and Gasketed



ORDERING INFORMATION

Lead times will vary depending on options selected. Consult with your sales representative.

Example: FEM L48 4000LM IMAFL WD MVOLT GZ10 40K 80CRI

Series	Length	Nominal Lumens	Diffuser	Distribution	Voltage	Driver	Color temperature	CRI
FEM	L24 24" ‡	2000LM 2,000 lumens	IMAFI Acrylic, lineal ribbed frosted lens	MD Medium	MVOLT MVOLT	GZ10 0 - 10V dimming	30K 3000K	80CRI 80 CRI
		3000LM 3,000 lumens	IMACD Acrylic, clear deep lens	WD Wide	HVOLT 347-480 ‡		35K 3500K	90CRI 90 CRI
		4000LM 4,000 lumens	IMAFD Acrylic, deep frosted lens	PGD Parking garage	120 120V		40K 4000K	
		6000LM 6,000 lumens	LPAFL Acrylic, low profile frosted lens		277 277V		50K 5000K	
			LPAFL Acrylic, low profile clear lens		347 347V			
	L48 48" ‡	3000LM 3,000 lumens	LPPCL Polycarbonate, low profile clear lens		480 480V			
		4000LM 4,000 lumens	LPPFL Polycarbonate, low profile frosted lens					
		6000LM 6,000 lumens						
		8000LM 8,000 lumens						
		10000LM 10,000 lumens						
		12000LM 12,000 lumens						
	L96 96" ‡	9000LM 9,000 lumens						
		12000LM 12,000 lumens						
		15000LM 15,000 lumens						
		18000LM 18,000 lumens						
20000LM 20,000 lumens								
	24000LM 24,000 lumens							

Options			
E10WMCP	EM Self-diagnostics battery pack, MVOLT, 10W, Constant Power Certified in the California Title 20 Modernized Appliance Efficiency Database (MAEDBS) ‡	CPSB16YWLBH	6' Brad Harrison 16/3 cord and straight blade plug set ‡
BE6WCP	Cold Weather EM battery pack, 120/277V, 6W, Constant Power Certified in the California Title 20 Modernized Appliance Efficiency Database (MAEDBS) ‡	CPSB16YWL12FTBH	12' Brad Harrison 16/3 cord and straight blade plug set ‡
BGTD	Generator transfer device	CRSB16YWLBH	Brad Harrison receptacle ‡
SPD	Surge protection device, additional 10kV/6kA	CNP16WWL	6' white cord, 16/3, no plug, wet location ‡
WLF	Wet location fitting (two outboard, top (L24 - 20 inches off-center, L48 - 48 inches off-center, L96 - 95.7 inches off-center) ‡	CNP16WWL12FT	12' white cord, 16/3, no plug, wet location ‡
WLFEND	Wet location fitting (one end)	CNP16CWWL	6' white cord, 16/4, no plug, wet location (for use when unswitched circuit is required for battery pack)
WLFEND2	Wet location fitting (both ends) ‡	TRS	Tamper Resistant Torx® T10 screws
WLFMP	Wet location pendant monopoint ‡	DPMB	Dual pendant mounting bracket
ANGBKT	Angle bracket shipped with fixture	STSL	Stainless steel latches
Individual Controls:			
		SBOR10	Low mount 360° integral motion sensor, wet location, On/Off operation (formerly MS10NWL)
		SBOR10 HL 3V	Low mount 360° integral motion sensor, wet location, High/Low operation (bi-level) (formerly MS102L3VWL)
		SBOR10 P	Low mount 360° integral motion sensor, wet location, On/Off operation for motion sensing, override Off due to daylight (formerly MS10NWL DSCNWL)
Xpoint Wireless:			
		XPA SBOR10	Xpoint wireless integral motion sensor, On/Off operation for motion sensing, override Off due to daylight (formerly MS10XAWL DSCXAWL) ‡
		XAD	XPoint™ wireless controller, 0-10V dimming ‡
nLight Air:			
		NLTAIR2 RSBOR10	nLight AIR generation 2 enabled 306 low mount motion sensor
		NLTAIR2 RIO	nLight (wireless) gen 2 dimming & switching module

NOTE: ‡ indicates option chosen has ordering restrictions. Please reference ordering restrictions chart, page 3. Options are sorted alphanumerically.

See Accessories and ordering restrictions on next page.



FEM LED

**Job Name:****Catalog Number:**FEM L48 4000LM LPAFL MD MVOLT
GZ10 40K 80CRI

Notes:

Type:**D**

DEER21-153733

FEM LED Low-Profile Enclosed and Gasketed

‡ Option Value Ordering Restrictions

Option value	Restriction
BE6WCP	Not available with L24 length. Order with CNP164CWWL when unswitched hot is required for battery. Not available with 347V,480V,HVOLT.
CNP16WWL	Not available with BE6WCP or E10WMCP.
CNP16WWL12FT	Not available with BE6WCP or E10WMCP.
CPSB16YWL12FTBH	Not available with BE6WCP or E10WMCP.
CPSB16YWLBH	Not available with BE6WCP or E10WMCP.
CRSB16YWLBH	Not available with BE6WCP or E10WMCP.
E10WMCP	Order with CNP164CWWL when unswitched hot is required for battery. Not available with 347V,480V,HVOLT.
FEMSMB	This is the same bracket that ships standard with fixture, this option is for replacement only.
HVOLT	When ordered with L24 available with 6000LM only. When ordered with L48 not available with 3000LM or 4000LM. Not available with XAD or XPA SBOR10.
L24	Not available with BE6WCP.
L48	Not available with WLFPPM.
L96	Not available with WLFPPM.
WLF	If cord is ordered, cord will exit from the end of the fixture.
WLFEND	Available with cord or sensor option. Choose only one.
WLFEND2	Not available with sensor or cord options.
WLFPPM	Available only with L24.
XAD	Not available with HVOLT.
XPA SBOR6	Not available with HVOLT.

Accessories: Order as separate catalog number.

MHCH 36	Jack chain 36" (pair)
MHHK120	10' single leg air craft cable (ships as pair)
MHHK120SS	10' single leg air craft cable, stainless steel (ships as pair)
RK1 T10BIT W/PIN U	Hex-base driver bit, Torx TX10, for tamper resistant screws with center reject pin
FEMDPMB	Dual pendant mounting bracket (ships as a pair)
FEMANGBKT	Angle bracket (ships as pair)
FEMSMB	Surface mount bracket (ships as pair) ‡

MOUNTING OPTIONS



FEMSMB
(304 stainless steel)



Job Name:

Catalog Number:

ELM2L

Type:

EM

Notes:

DEER21-153733



FEATURES & SPECIFICATIONS

INTENDED USE — Provides a minimum of 90 minutes illumination for the rated wattage upon loss of AC power to meet and exceed code required emergency lighting. Ideal for applications requiring attractive LED unit equipment with quick installation and unparalleled performance for lower mounting heights. **Certain airborne contaminants can diminish the integrity of acrylic and/or polycarbonate.** [Click here for Acrylic-Polycarbonate Compatibility table for suitable uses.](#)

CONSTRUCTION — The housing is a standard white (black optional) thermoplastic with a compact and low-profile contemporary design. It is 5VA flame rated, impact-resistant, scratch-resistant and corrosion proof. The UV-stable resin resists discoloration from natural and man-made light sources. There is a low-profile, integrated and back-lit test switch with an easily visible multi-color LED status indicator. The back-plate contains a universal j-box mounting pattern to facilitate ease of installation on a wide variety of j-boxes and the front housing allows tool-less access for ease of maintenance.

ELM2LF: Fixed lamp head arrangement for ease of installation and maximum path of egress aiming coverage with no aiming required for wall mount applications.

ELM2L: Unique track and swivel arrangement permits full range of direction for lamp head adjustment.

OPTICS — Both the ELM2L and ELM2LF feature two, high performance LEDs with acrylic lens rated at 1.2 watts each and delivering a total of 220 lumens in a linear pattern (LP220L). The typical life of an LED is 10 years. The LED light sources typically never need to be replaced under normal conditions for normal off applications.

CCT: 5000K.

ELECTRICAL — Orderable in multiple voltages (see ordering tree for specific voltages).

Current-limiting charger maximizes battery life and minimizes energy consumption and provides low operating costs. Small battery chargers Certified in the CA Title 20 Appliance Efficiency Database.

Short-circuit protection — current-limiting charger circuitry protects printed circuit board from shorts.

Regulated charge voltage maintains constant-charge voltage over a wide range of line voltages.

Prevents over/undercharging that shortens battery life and reduces capacity. Filtered charger input minimizes charge voltage ripple and extends battery life.

BATTERY: Sealed, maintenance-free nickel-cadmium or Lithium Iron Phosphate.

Lithium Iron Phosphate battery powers both on board LEDs and up to 2.4W additional LED remote lamp heads simultaneously or offers extended run-time up to 3 hours.

SELF-DIAGNOSTICS and REMOTE TEST (SDRT option):

Automatic 24-hour recharge after a 90-minute discharge.

Advanced electrical design provides constant light output throughout the entire discharge period.

Brownout protection is automatically switched to emergency mode when supply voltage drops below approximately 80 percent nominal of 120, 220, 277 or 347. Other input voltages may vary.

AC/LVD reset allows battery connection before AC power is applied and prevents battery damage from deep discharge.

Self-Diagnostics: Continuously monitors AC functionality. Test switch and remote tester (RTKIT accessory) provide manual activation of 30-second diagnostic testing for on-demand visual inspection. Standard derangement monitoring will indicate disconnected battery, charger failure and displays green flashing indicator light while in emergency mode. Single multi-chromatic LED indicator to display two-state charging, test activation and three-state self-diagnostics.

Self-diagnostic testing: Five minutes every 30 days and 90 minutes annually. Diagnostic evaluation of lamps, AC to DC transfer, battery charging and condition of microprocessor. Automatic test is easily postponed for eight hours by activating manual test switch or use of remote tester (RTKIT accessory).

CLSR option: Connected Life Safety radio transmits monthly and annual test results and diagnostics information for automated reporting requirements.

INSTALLATION — Wall mount and ceiling mount standard for ELM2L. Wall mount only for ELM2LF. Blind-mate connector ensures easy installation and safe maintenance. 7/8" entrance provision at top of unit for standard 1/2" conduit entry. Tool-less removal of front cover from back-plate for ease of installation and maintenance.

LISTINGS — UL damp location listed standard and wet location listed when used with the WPVS accessory, all at 50-104°F (10-40°C). Meets or exceeds all applicable requirements for UL 924, NFPA 101 (Current Life Safety Code), NFPA 70 (NEC), NOM (Norma Oficial Mexicana), California Energy Commission Title 20 section 1605.3 (W)(4), FCC Title 47, Part 15, Subpart B and OSHA. List and labeled to comply with Canadian Standards C22.2 No. 141-10.

WARRANTY — 5-year limited warranty. Complete warranty terms located at: www.acuitybrands.com/support/customer-support/terms-and-conditions

NOTE: Actual performance may differ as a result of end-user environment and application. All values are design or typical values, measured under laboratory conditions at 25 °C. Specifications subject to change without notice.

† Small Battery Chargers Certified in the CA Title 20 Appliance Efficiency Database.



EMERGENCY

Catalog Number
Notes
Type



Contemporary Commercial LED Emergency Light



ELM2L

Aimable Optics

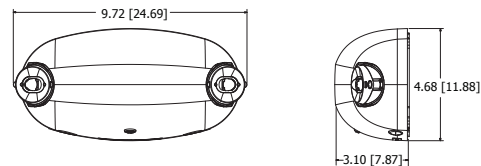
ELM2LF

Fixed Optics

LITHIUM IRON PHOSPHATE
Nickel Cadmium

MOUNTING AND SPECIFICATIONS

All dimensions are inches (centimeters) unless otherwise indicated.



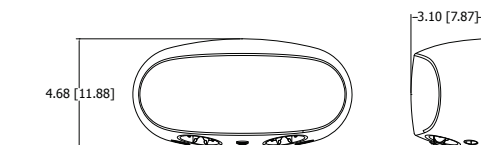
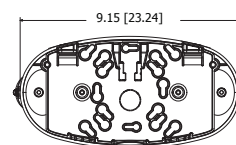
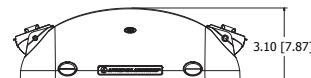
ELM2L Specifications

Length: 9.72 (24.69)

Depth: 3.10 (7.87)

Height: 4.68 (11.88)

Weight: 1.31lbs (0.59kg)



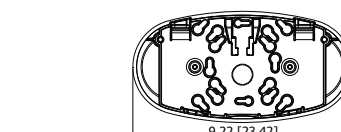
ELM2LF Specifications

Length: 9.22 (23.42)

Depth: 3.10 (7.87)

Height: 4.68 (11.88)

Weight: 1.25lbs (0.57kg)





ELM2L_ELM2LF Quantum® Contemporary Commercial LED Emergency Light



Looking for Contractor Select readily available configurations? Click here to visit Contractor Select™ spec sheet or go to www.contractorselect.com

NICKEL CADMIUM BATTERY MODELS

ORDERING INFORMATION

For shortest lead times, configure product using **bolded options**.

Example: ELM2LF

Series ¹	Lamp type	Housing color	Voltage	Battery type	Automatic Testing	Options
ELM2L Aimable optics	(blank) LP220L 220 lumen, 2.4 watt, linear pattern, two lamps	(blank) White B Black	(blank) 120/277 VAC/60Hz 120/347 120/347 VAC/60Hz SVOLT 220-240/50-60 Hz UVOLT 120 - 347 VAC, 50/60hz	(blank) Nicad	(blank) None SDRT Self Diagnostics, Remote Test ²	(blank) None WPVS Wet protective vandal shield ³ USPOM Assembled in the US

Notes

- ELM2L and ELM2LF with Nicad battery type not available with remote capacity.
- SDRT only available with UVOLT.
- WPVS breaks out and ships separately and color will match (ex: WPVS SML B). Must be ordered when using for wet location applications. Decreases delivered lumens up to 20%. See spec sheet [WPVS](#) for more information.

LITHIUM IRON PHOSPHATE BATTERY MODELS

ORDERING INFORMATION

For shortest lead times, configure product using **bolded options**.

Example: ELM2LF UVOLT LTP

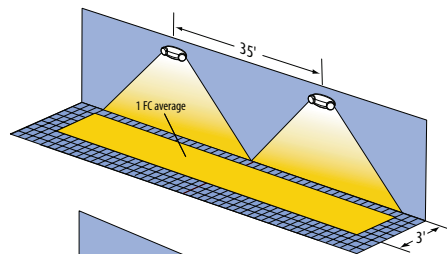
Series ¹	Lamp type	Housing color	Voltage	Battery type	Automatic Testing	Options
ELM2L Aimable Optics	(blank) LP220L 220 lumen, 2.4 Watt, Linear Pattern, two lamps	(blank) White B Black	UVOLT 120 - 347 VAC, 50/60hz	LTP Lithium Iron Phosphate ¹	(blank) None SDRT Self-diagnostics, remote test ¹ CLSR Connected Life Safety Radio ²	(blank) None WPVS Wet protective vandal shield ³ USPOM Assembled in the US

Notes

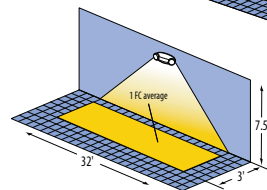
- Extended run-time or remote capacity is standard. New ELMRE and ELMRW style remotes are compatible with both SDRT and non-SDRT versions (see page 3).
- SDRT option required. Connected Life Safety radio transmits monthly and annual test results and diagnostics information for automated reporting requirements. Only available with LTP battery type.
- WPVS breaks out and ships separately and color will match (ex: WPVS SML B). Must be ordered when using for wet location applications. Decreases delivered lumens up to 20%. See spec sheet [WPVS](#) for more information.

SPACING GUIDELINES

*Note: To see complete photometric report or download the .ies file for this product, visit Lithonia Lighting ELM2L or ELM2LF home page.



Example of multiple ELM2L luminaires illuminating a 3' path of egress.



Example of single ELM2L illuminating a 3' path of egress.
* Application image examples are using LP220L lamp.

Other Accessories: Order as separate catalog number.

WPVS SML W	Wet protective vandal shield (must be used for wet location applications)
WPVS SML B	Wet protective vandal shield, black (must be used for wet location applications)
ELA WG1	Wireguard, 15" W x 13-1/2" H x 6" D (see spec sheet ELA-WG)
RTKIT	Remote test kit, up to 40' away (includes goggles, laser and battery)

Maximum Spacing Guidelines — ELM2LF

Mounting Height	Illumination Level	Single Luminaire Coverage		Multiple Luminaire Spacing		Application Notes
		3' Path of Egress	6' Path of Egress	3' Path of Egress	6' Path of Egress	
7.5'	1FC Avg ¹	32'	20'	35'	28'	100' Corridor, 8' wide, and 12' high with 80/50/20 reflectances
10'	1FC Avg ¹	20'	NA	27'	24'	

Notes:

- Also meets the additional illumination requirements of NFPA 101: .1FC minimum and max/min ratio of 40:1.

Maximum Spacing Guidelines — ELM2L

Mounting Height	Illumination Level	Single Luminaire Coverage		Multiple Luminaire Spacing		Application Notes
		3' Path of Egress	6' Path of Egress	3' Path of Egress	6' Path of Egress	
7.5'	1FC Avg ¹	32'	24'	35'	28'	100' Corridor, 8' wide, and 12' high with 80/50/20 reflectances
10'	1FC Avg ¹	20'	14'	27'	23'	

Notes:

- Also meets the additional illumination requirements of NFPA 101: .1FC minimum and max/min ratio of 40:1.



ELM2L mounted inside the WPVS (white)



ELM2LF mounted inside WPVS (white)



ELM2L_ELM2LF Quantum® Contemporary Commercial LED Emergency Light

INDOOR/ DAMP LOCATION REMOTES

ELMRE Compatible Remotes ^{1,2,3}

LTP Compatible Remote Accessories: Order as separate catalog number.	
ELMRE LP220L SGL	Single LED Indoor remote head, white, 110 lumens
ELMRE LP220L T	Twin LED Indoor remote heads, white, 110 lumens
ELMRE LP220L FXO	Twin LED Indoor remote heads, fixed lamps, white, 220 lumens

Notes

- 1 Compatible with SDRT and non-SDRT versions.
- 2 Order the WPVS accessory for wet location listing and vandal protection.
- 3 See spec sheet [ELMRE](#). Also available in black.

BATTERY CAPACITY AND LOADING - ELMRE REMOTES		
Battery Option	Total Capacity	Maximum # of Remote Lamp heads
LTP	4.8W	2- ELMRE LP220L SGL M12
		1 - ELMRE LP220L T M12
		1 - ELMRE LP220L FXO

* In addition to the lamp heads on the product.



[ELMRE LP220L SGL](#)



[ELMRE LP220L T](#)



[ELMRE LP220L FXO](#)

OUTDOOR / WET LOCATION REMOTES

ELMRW Compatible Remotes

LTP Compatible Remote Accessories: Order as separate catalog number.	
ELMRW LP220L DDBTXD SGL	Single LED Wet Location remote head, dark bronze, 110 lumens
ELMRW LP220L DDBTXD T	Twin LED Wet Location remote heads, dark bronze, 220 lumens

BATTERY CAPACITY AND LOADING		
Battery Option	Total Capacity	Maximum# Remote lamp heads*
LTP	4.8W	2- ELMRW LP220L SGL
		1 - ELMRW LP220L T

* These are in addition to the lamp heads on the product.



[ELMRW LP220L DDBTXD SGL](#)



[ELMRW LP220L DDBTXD T](#)

SPECIFICATIONS

ELECTRICAL			
Primary Circuit			
Type	Volts	Input amps	Watts
Nicad	120	0.018	1.09
	347	0.012	1.34
Lithium Iron Phosphate	120	0.022	1.35
	347	0.014	1.64

LTP EXTENDED RUN-TIMES	
Products	Total Run-time with no remotes
ELM2L LTP	3 hours
ELM2LF LTP	3 hours

BATTERY			
UVOLT Nicad (6V), All Other Nicad (3.6V)			
Typical Shelf life ¹	Typical life ¹	Maintenance ²	Temperature Range ^{3,4}
3 years	7-9 years	none	50°-104°F (10-40°C)
Lithium Iron Phosphate (9.6V)			
Typical Shelf life ¹	Typical life ¹	Maintenance ²	Temperature Range ^{3,4}
1 years	7-9 years	none	50°-104°F (10-40°C)

Notes

- 1 At 77°F (25°C) ambient temperature, charge/discharge cycles and prolonged full discharge may reduce useful life.
- 2 All life safety equipment, including emergency lighting for path of egress must be tested in accordance with all National Fire Protection Association (NFPA) and local codes. Failure to perform the required testing could jeopardize the safety of occupants and will void all warranties.
- 3 Ambient temperature range where unit will provide capacity for 90 minutes. Higher and lower temperatures affect life and capacity.
- 4 Battery life is negatively impacted by many variables including temperature, charging rates, number of cycles and deep discharges due to long periods of time without AC power.